

50W Floodlight PIR

LED LAMP

50W

PIR Sensor

3
YEAR
WARRANTY
WITH ONLINE
REGISTRATION



FEATURES:

- High quality
- Robust & Durable
- Mounting bracket with adjustable tilt and 1m lead wire
- IP65 weatherproof

APPLICATIONS



COMMERCIAL



OUTDOOR



WAREHOUSE
& STORAGE AISLES



WORK SITES

BRIGTH SOURCE

50W

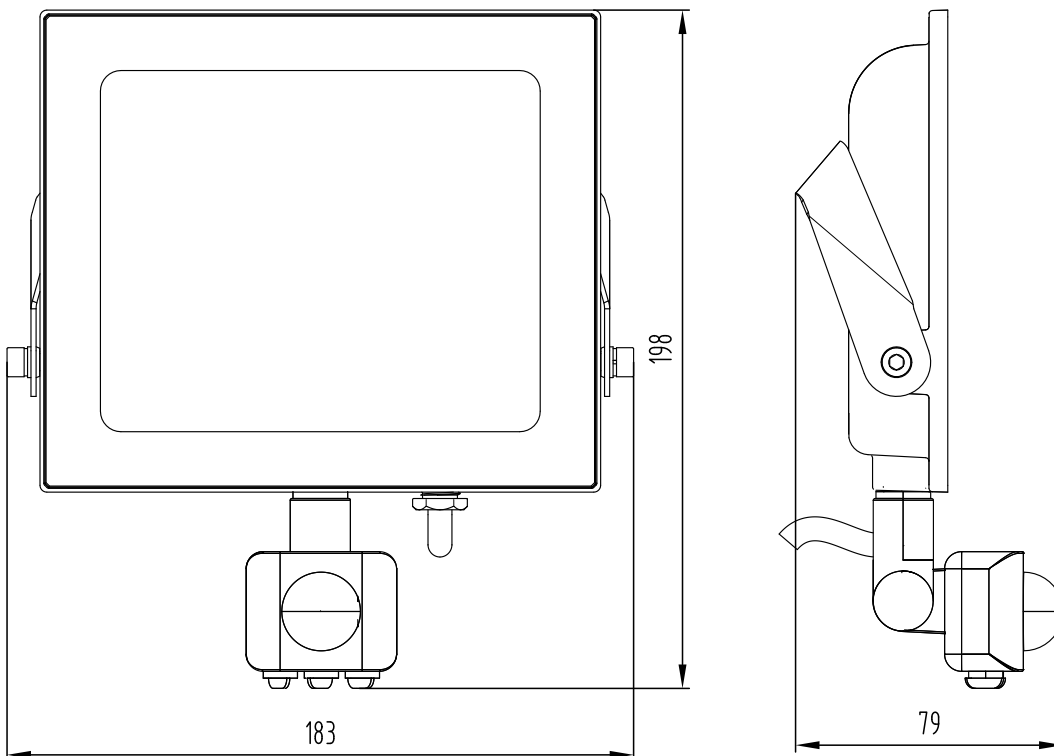
50W Floodlight PIR

LED LAMP

PIR Sensor

Part No. 253587

Description	LED 50W Floodlight PIR
Product Dimensions (mm)	198mm x 79mm x 183mm
Product Weight (g)	510g
Power Consumption (w)	50w
Input Voltage (VAC)	220-240v
Colour Temperature (k)	6500K
CRI	>70
Lumen Output (lm)	5750lm
IP Rating	IP65
IK Rating	IK05
Beam Angle	120°
Construction	aluminum+PC
Working Temperature (°C)	-20° to +40°
Lifetime (hrs)	25,000
Switch Cycles	15,000 times
Lumen Efficacy (lm/w)	115lm/W
Cerification	CE / ROHS
Warranty	1 Year (+ 2 years extended warranty with online registration)

**BRIGHT SOURCE****Bright Source**
253587**50**
kWh/1000h