

# ECO DOWNLIGHT LED LAMP

8W/  
10W

**2**  
**YEAR**  
**WARRANTY**  
WITH ONLINE  
REGISTRATION



120LM/W



ENERGY  
SAVING



IP65  
RATED



FIRE RATED  
BS476-21  
30/60/90  
minutes



65  
mm  
DIAMETER  
CUT OUT

## FEATURES:

- Flicker free
- Slim design
- SDM below 4
- Two part connector, insulation coverable

## APPLICATIONS



BATH &  
SHOWER



COMMERCIAL



EDUCATION



HOME &  
RESIDENTIAL



LOBBIES &  
CORRIDORS



OFFICES



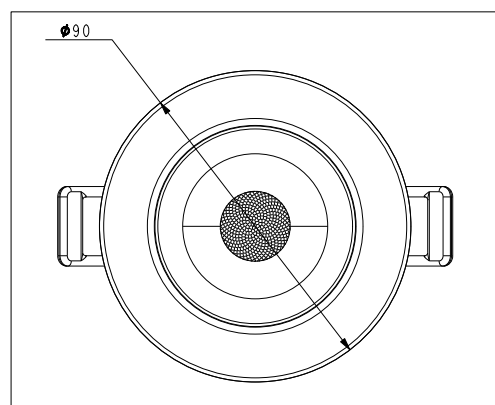
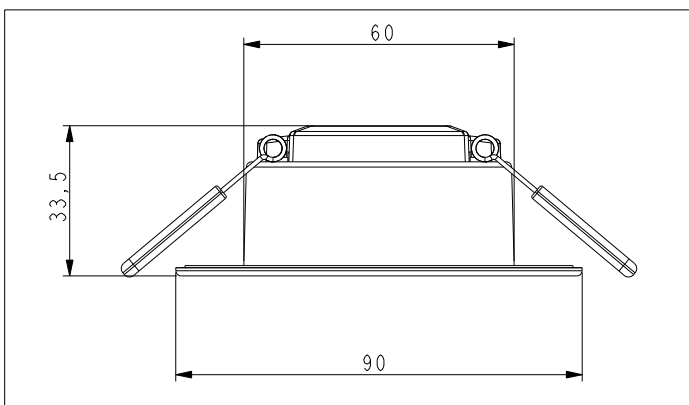
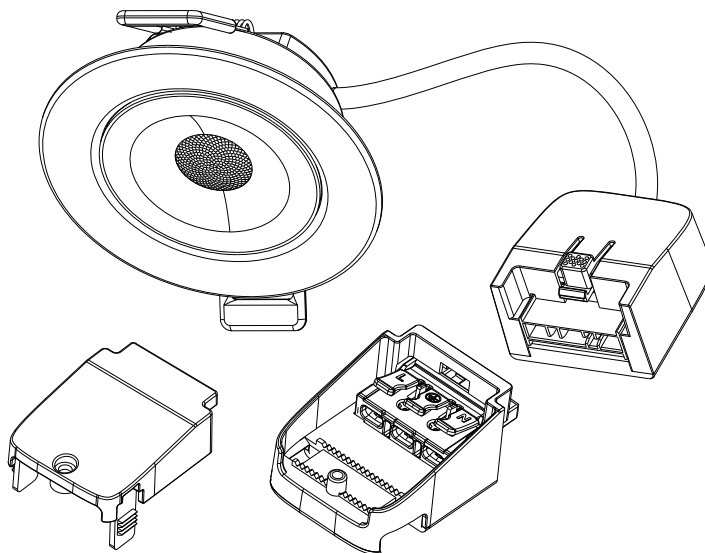
RETAIL

**8W/  
10W**

# ECO DOWNLIGHT LED LAMP

**BRIGHT SOURCE**

Part No.	231479	231493
Description	<b>8W Eco Downlight</b>	<b>10W Eco Downlight</b>
Product Dimensions (mm)	<b>D 90 x H 33.5mm</b>	
Product Weight (g)	<b>120g</b>	
Power Consumption (w)	<b>8</b>	<b>10</b>
Input Voltage (VAC)	<b>220-240v</b>	
Colour Temperature (k)	<b>4000K</b>	
CRI	<b>&gt;80</b>	
Lumen Output (lm)	<b>960</b>	<b>1200</b>
IP Rating	<b>IP65 Fascia, IP20 Rear</b>	
Beam Angle	<b>120°</b>	
Construction	<b>aluminum+PC</b>	
Working Temperature (°C)	<b>-20° to +45°</b>	
Lifetime (hrs)	<b>20,000</b>	
Switch Cycles	<b>10,000 times</b>	
Lumen Efficacy (lm/w)	<b>120lm/W</b>	
Cerification	<b>CE / ROHS</b>	
Warranty	<b>1 Year (+ 1 years extended warranty with online registration)</b>	



**Bright Source**  
231479



**8**  
kWh/1000h



2021 No. 1091